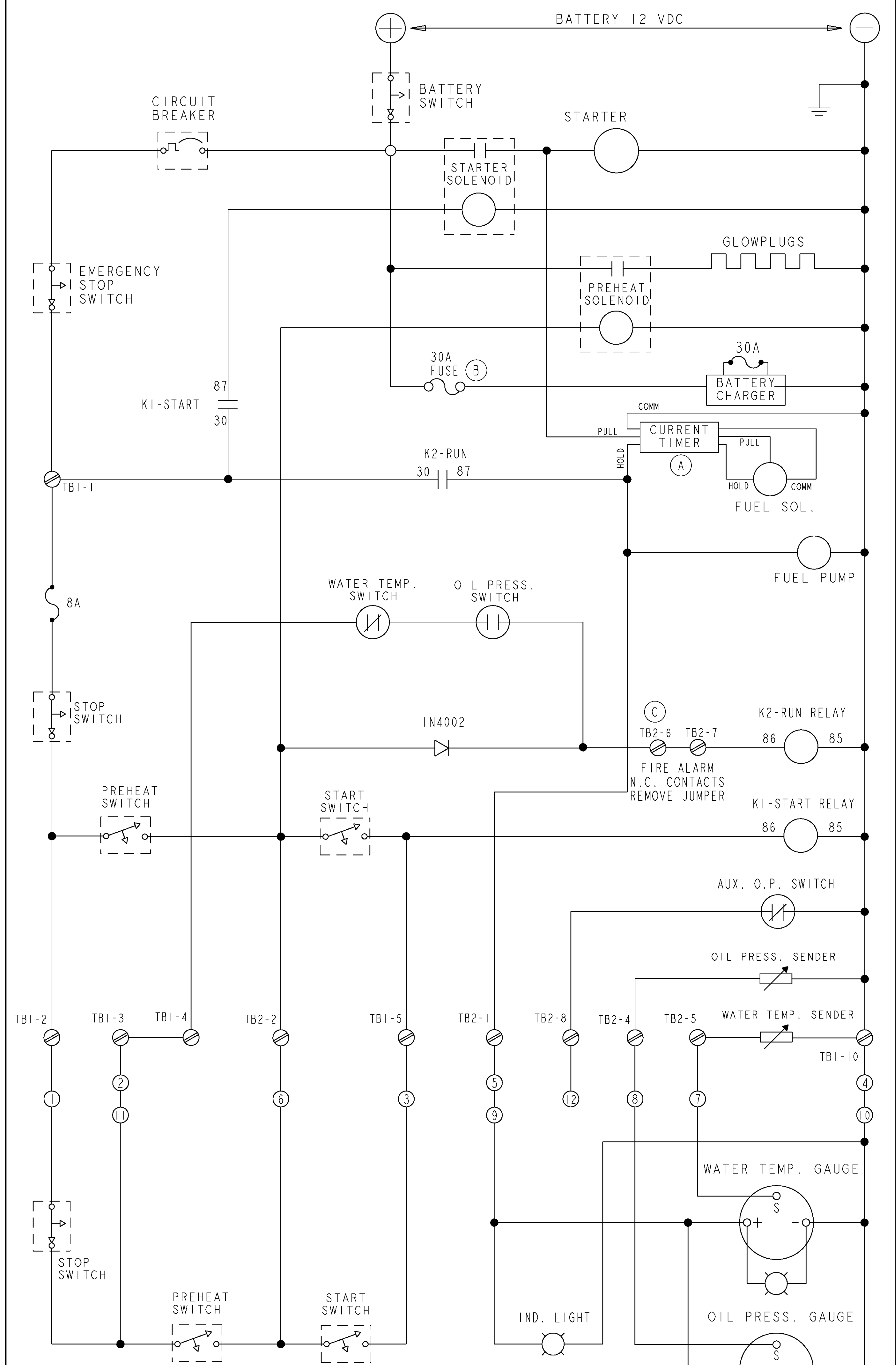
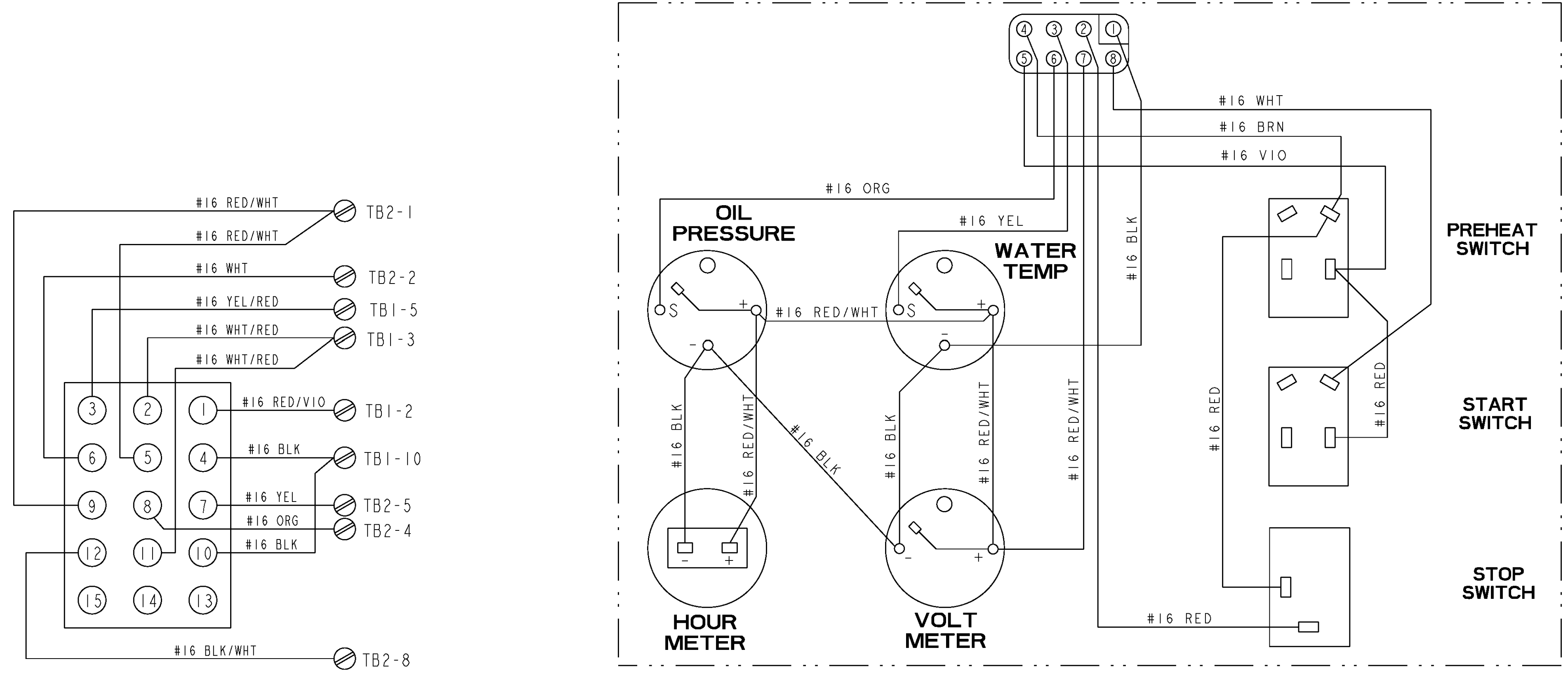


NOTE:
1. REMOVE JUMPER WHEN CONNECTING A SECOND REMOTE PANEL.



NOTE:
○ REMOTE CONECTOR PINS

ECO NO.	DATE	REV.	REVISION RECORD	AUTH.	DR. BY

TOLERANCES (UNLESS OTHERWISE NOTED)		WESTERBEKE CORPORATION TAUNTON MA. 02780	
6593	1-4 2009	D	UPDATE TITLE WITH 5.5 BC DR
5861	11-3 2004	C	ADDED JUMPER BETWEEN TB2-6&7; K2-86 WAS CONNECTED TO TB2-6.
5610	9-17 2003	B	ADDED 30A FUSE TO BATTERY CHARGER CONNECTION; REROUTE BATTERY CHARGER CONNECTION TO STARTER INSTEAD OF CIRCUIT BREAKER
5082	10/22/01	A	ADDED CURRENT TIMER

INCHES	MILLIMETERS	TITLE
.XX : .02	.X :	WIRING DIAGRAM/SCHEMATIC
.XXX : .005	.XX :	5.0 BC DR, 5.5 BC DR - SRC
ANGLES : 30°		
FINISH : 3X		

DRAWN BY	DATE	MATERIAL
MPG	16/Mar/00	
APPROVED BY	DATE	
TSM		

DIMENSIONS	SCALE	SIZE	DRAWING NUMBER	REV.
INCHES	NONE	E	44742	D
MILLIMETERS				

5HT 1 of 1